



Agriculture



Télescopique



Chariot Industrielle

FarmHelper

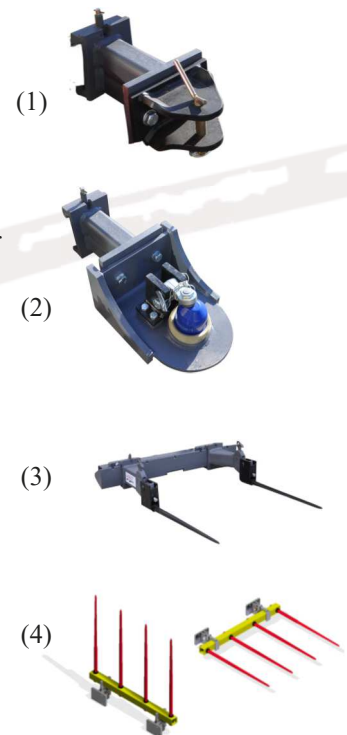
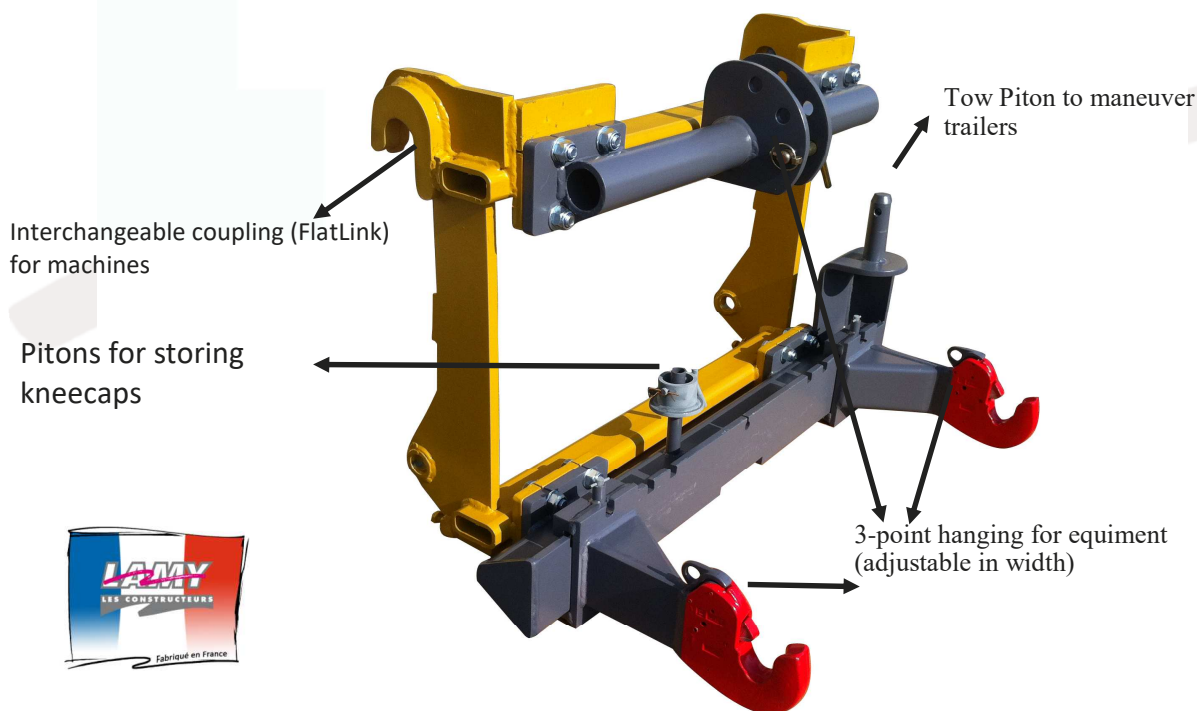
Adjustable 3-point Attachment Apron

CHARACTERISTICS

- A real bridge between handling equipment and agricultural tractors.
- Interchangeable coupling (FlatLink) for all brands.
- Adjustable width hooks with 3-point tools.
- Equipped with a gripping Piton with slide stop ring to **manoeuvre the trailers**.
- This equipment allows the user to handle inside the farm or between the different places of his farm.
- Weight: 130 kg

OPTIONS

1. Towing system for all trailers equipped with a ring, with Piton, deported to facilitate the manoeuvre of the trailer.
2. K80 tow ball with safety system for large trailer
3. 2 Electro-Forged straight fingers diam. 35 lg. 1100 for taking Bales.
4. Support 4 Fingers straight électroforgés Ø 35 LG. 1100 for boot Jack.



LAMY "Les Constructeurs"

ZI NORD, F-28800 BONNEVAL

Tél. : + 33 (0)2 37 47 40 34

Fax : + 33 (0)2 37 96 21 91

www.lamy-les-constructeurs.com

exportsales@lamy-les-constructeurs.com

Your dealer :

